

HIGH PRESSURE SILENCER

Series AS02M

Cat No AS02M - 01 - 01 - A

HIGH PRESSURE SILENCER - 1/2", 3/4", 1"

Features

- Maximum of 35 dB noise reduction
- Provided with Hex head, making it easy for assembly
- Exhaust air flows softly to atmosphere
- Maintenance free and prolonged service life



Applications

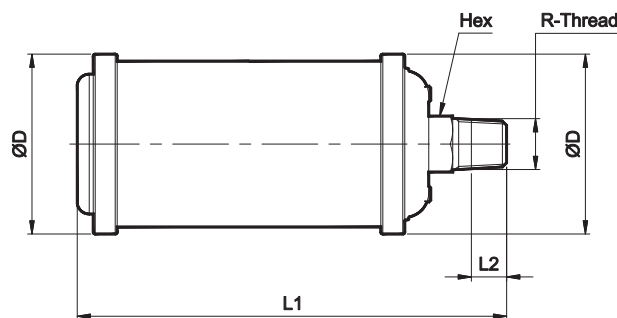
- PET moulding application
- Air driven equipment

Technical Specifications

Fluid #	Air
Ambient temperature	-10° to +60° C
Maximum operating pressure	50 bar
Threaded connection	Male: R Thread
Applicable thread size	1/2", 3/4" & 1"
Noise Reduction (dB)	35 (Supply Pressure 40 bar)

- for other fluids, contact JANATICS

Basic dimensions - 1/2", 3/4", 1"



Thread	ØD	L1	L2	Hex	Weight (g)	Ordering No
R1/2	80	146	7	22	410	AS02M0353
R3/4	86	176	8	28	500	AS02M0354
R1	98	214	9	34	675	AS02M0355

How to order

While ordering High pressure silencers, mention the ordering number given in the corresponding tables.

Subject to change